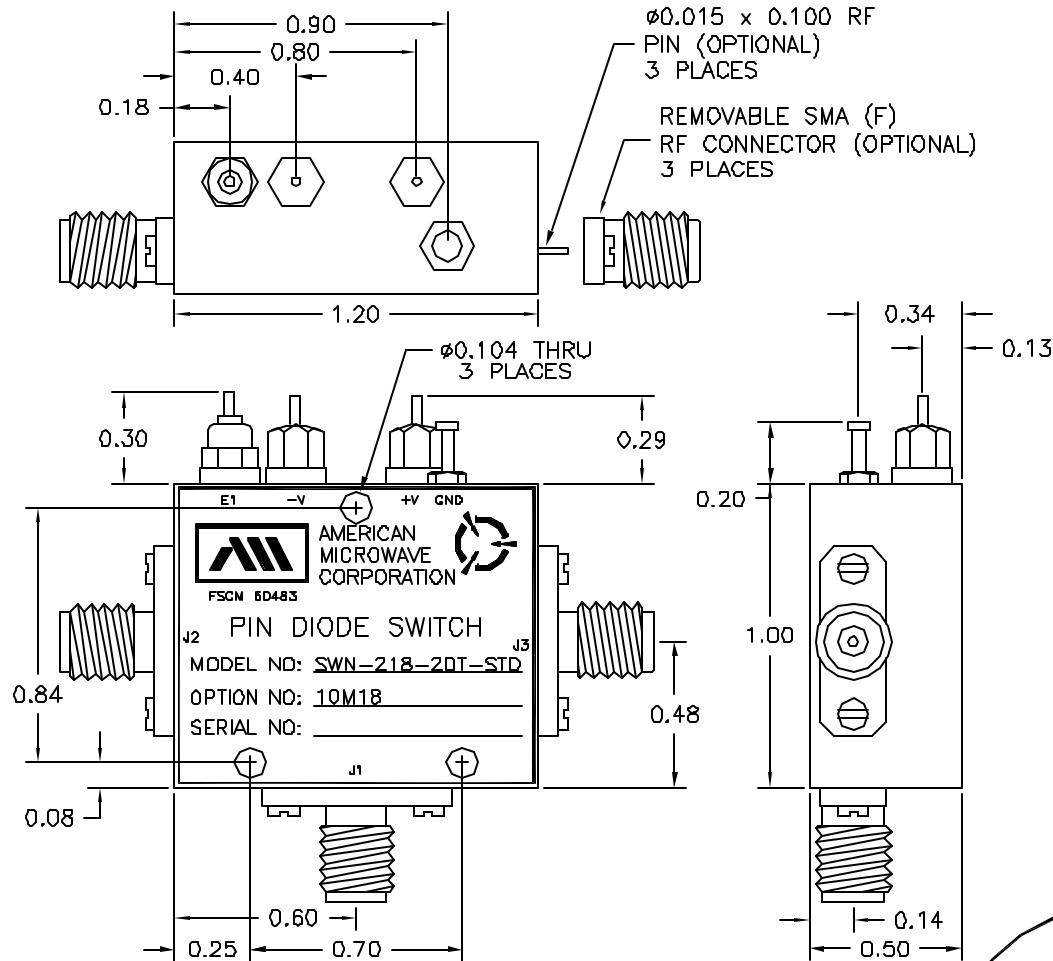


## DESCRIPTION

AMC MODEL SWN-218-2DT-STD OPTION: 10M18 IS AN ABSORPTIVE/NON-REFLECTIVE SINGLE POLE TWO THROW SWITCH MODULE DESIGNED TO OPERATE OVER THE 10 MHZ TO 18 GHz FREQUENCY RANGE.



## MECHANICAL OUTLINE

REVISIONS				
ZONE	REV.	DESCRIPTION	DATE	APPROVED
	-	ORIGINAL RELEASE JOB# 512273N	3/3/06	

## AMERICAN MICROWAVE CORPORATION

7311-G GROVE ROAD  
 FREDERICK, MARYLAND 21704 USA  
 TEL: 301-662-4700 FAX: 301-662-4938  
 WEBSITE: [www.americanmicrowavecorp.com](http://www.americanmicrowavecorp.com)  
 E-MAIL: [sales@americanmicrowavecorp.com](mailto:sales@americanmicrowavecorp.com)  
 ISO 9001:2000 CERTIFIED



ALL DIMENSIONS ARE IN INCHES  
 TOLERANCES:  
 X.XX ±0.020  
 X.XXX ±0.010

APPROVALS		DATE	TITLE		
DRAWN	<i>FDF</i>	3/3/06	MECHANICAL OUTLINE SWN-218-2DT-STD OPTION: 10M18		
CHECKED			10 MHZ - 18 GHz, SINGLE POLE TWO THROW SWITCH	SIZE	REV.
ISSUED			A	FSCM NO. 60483	DWG NO. 100-7616
			SCALE N:S	SHEET 2 OF 4	

## DESCRIPTION

AMC MODEL SWN-218-2DT-STD OPTION: 10M18 IS AN ABSORPTIVE/NON-REFLECTIVE SINGLE POLE TWO THROW SWITCH MODULE DESIGNED TO OPERATE OVER THE 10 MHz TO 18 GHz FREQUENCY RANGE.

## SPECIFICATIONS

- FREQUENCY RANGE: ..... 10 MHz TO 18 GHz
- INSERTION LOSS: ..... @ 10 MHz: 5.0 dB MAXIMUM  
1-17 GHz: 3.5 dB MAXIMUM  
@ 18 GHz: 4.0 dB MAXIMUM
- ISOLATION: ..... 0.01-2 GHz: 60 dB MINIMUM  
2-18 GHz: 70 dB MINIMUM
- VSWR OUT/OFF: ..... 2.0:1 MAXIMUM
- RISE TIME: ..... 200 nSec MAXIMUM
- FALL TIME: ..... 200 nSec MAXIMUM
- DELAY ON: ..... 500 nSec MAXIMUM
- DELAY OFF: ..... 500 nSec MAXIMUM
- POWER INPUT: ..... (CW)+20 dBm (STANDARD), +10 dBm (HIGH SPEED)
- SURVIVAL POWER: ..... 1 WATT CW, 10 WATTS PEAK 1  $\mu$ Sec
- CONTROL: ..... TTL LOGIC "0" = J1-J2 ON  
TTL LOGIC "1" = J1-J3 ON
- POWER SUPPLY: ..... +5V @ 100 mA MAXIMUM  
-5V @ 100 mA MAXIMUM
- CONNECTORS:  
RF: ..... SMA FEMALE  
CONTROL: ..... SOLDER PIN
- SIZE: ..... 1.20" (L) x 1.00" (W) x 0.50" (H)
- WEIGHT: ..... 1.5 OUNCE TYPICAL

## OPTIONS:

- 10M18: ..... 10 MHz TO 18 GHz FREQUENCY RANGE

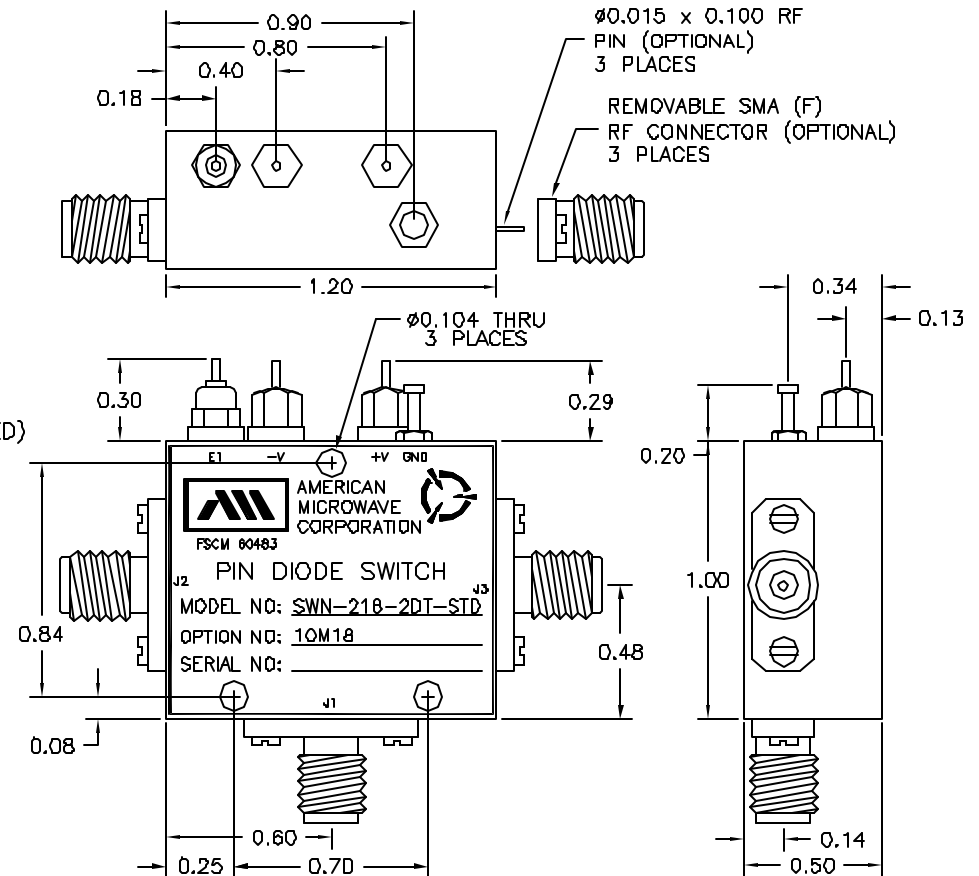
## ENVIRONMENTAL RATINGS:

- TEMPERATURE: ..... -55°C TO +85°C (OPERATING)  
-65°C TO +125°C (STORAGE)
- HUMIDITY: ..... MIL-STD-202F, METHOD 103B COND. B
- SHOCK: ..... MIL-STD-202F, METHOD 213B COND. B
- VIBRATION: ..... MIL-STD-202F, METHOD 204D COND. B
- ALTITUDE: ..... MIL-STD-202F, METHOD 105C COND. B
- TEMPERATURE CYCLE: ..... MIL-STD-202F, METHOD 107D COND. A

NOTE: SPECIFICATIONS WILL VARY OVER OPERATING TEMPERATURE  
NOTE: THE ABOVE SPECIFICATIONS ARE SUBJECT TO CHANGE OR REVISION

ALL DIMENSIONS ARE IN INCHES  
TOLERANCES:  
XXX  $\pm 0.020$   
XXX  $\pm 0.010$

REVISIONS				
ZDWE	REV.	DESCRIPTION	DATE	APPROVED
-		ORIGINAL RELEASE JOB# 512273N	3/3/06	



## AMERICAN MICROWAVE CORPORATION

7311-G GROVE ROAD  
FREDERICK, MARYLAND 21704 USA  
TEL: 301-662-4700 FAX: 301-662-4938  
WEBSITE: [www.americanmicrowavecorp.com](http://www.americanmicrowavecorp.com)  
E-MAIL: [sales@americanmicrowavecorp.com](mailto:sales@americanmicrowavecorp.com)  
ISO 9001:2000 CERTIFIED



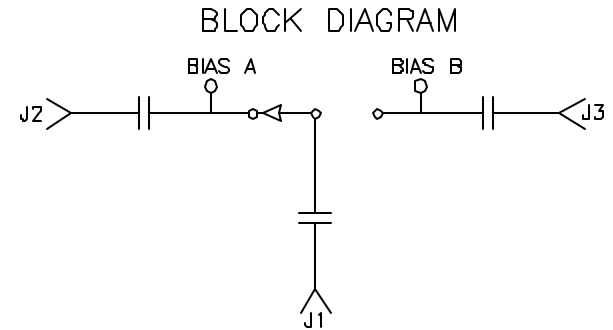
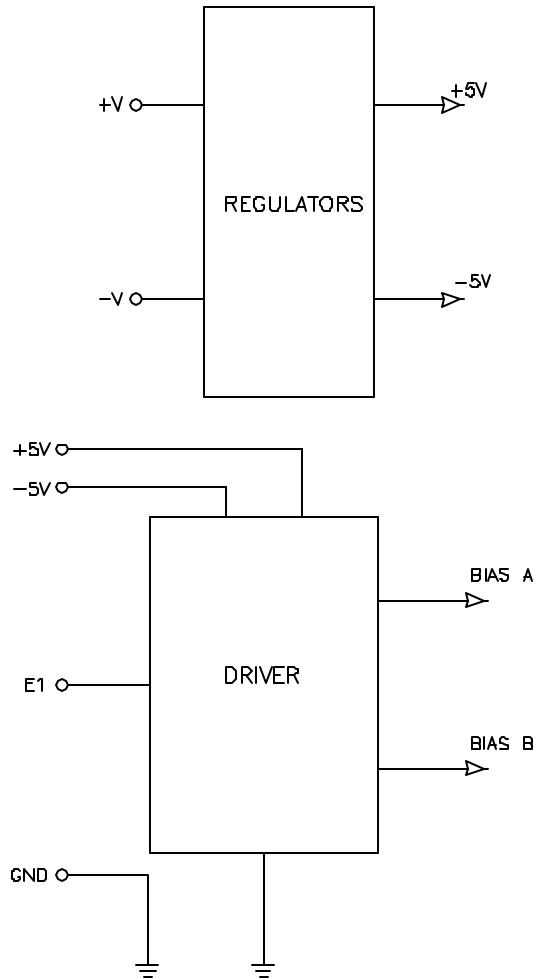
APPROVALS		DATE	TITLE		
DRAWN	<i>JDJ</i>	3/3/06	PRODUCT FEATURE SWN-218-2DT-STD OPTION: 10M18		
CHECKED			SIZE	FSCM NO.	DWG NO.
ISSUED			A	60483	100-7616
			SCALE	N:S	SHEET 1 OF 4

**DESCRIPTION**

AMC MODEL SWN-218-2DT-STD OPTION: 10M18 IS AN ABSORPTIVE/NON-REFLECTIVE SINGLE POLE TWO THROW SWITCH MODULE DESIGNED TO OPERATE OVER THE 10 MHZ TO 18 GHZ FREQUENCY RANGE.

REVISIONS				
ZONE	REV.	DESCRIPTION	DATE	APPROVED
	-	ORIGINAL RELEASE JOB# 512273N	3/3/06	

**FUNCTIONAL BLOCK DIAGRAM**



**AMERICAN MICROWAVE CORPORATION**

7311-G GROVE ROAD  
 FREDERICK, MARYLAND 21704 USA  
 TEL: 301-662-4700 FAX: 301-662-4938  
 WEBSITE: [www.americanmicrowavecorp.com](http://www.americanmicrowavecorp.com)  
 E-MAIL: [sales@americanmicrowavecorp.com](mailto:sales@americanmicrowavecorp.com)  
 ISO 9001:2000 CERTIFIED



APPROVALS		DATE	TITLE		
DRAWN	<i>FDF</i>	3/3/06	FUNCTIONAL BLOCK DIAGRAM SWN-218-2DT-STD OPTION: 10M18		
CHECKED			10 MHZ - 18 GHZ, SINGLE POLE TWO THROW SWITCH	SIZE	REV.
ISSUED			A	60483	100-7616
			SCALE	N:S	SHEET 3 OF 4